

AMM261WTD



*Monitor Stand Optional

ADVAN introduces its newest member of ADVAN LED HD Medical LCD Display family, the AMM261WTD (26 inch). This medical display is specially designed for Endoscope surgeons. This display incorporates optimized Dual Core multi-bit video processing technology and advanced high clarity 1080HD (1920x1080) panel to display extremely high level of chromaticity response with rich color depth, wide range contrast and LED backlight of superior brightness with less energy. AMM261WTD features the custom developed ASIC with true Dual Core two channels, 10 bit real time processing, Motion Adaptive Deinterlacing, and algorithms for Mosquito Noise Reduction. The display reproduces images captured by the Endoscope system with accurate chromatic data reproduction and consistent gamma for both static and moving images. AMM261WTD is highly flexible and supports a broad range of input types including VGA, DVI, Composite, YC, RGB, Component, HD/SD SDI, and optional input module for the optical input.

All ADVAN displays are medical-grade devices certified approved by authorized US and European agencies plus compliance with safety standard from Japan, China and CB listed countries. All ADVAN displays come with **Seolforbio Technology™**. AMM261WTD complies with ISO22196 standard in regards to antimicrobial activity of antibacterial-treated display enclosures, to prevent biodeterioration and odor on the display.

ADVAN Int'l Corp has a strong market share in the USA, partnered with its OEM/ODM customers to create a win-win total solution in surgical application for the medical community. – Image Your Life.

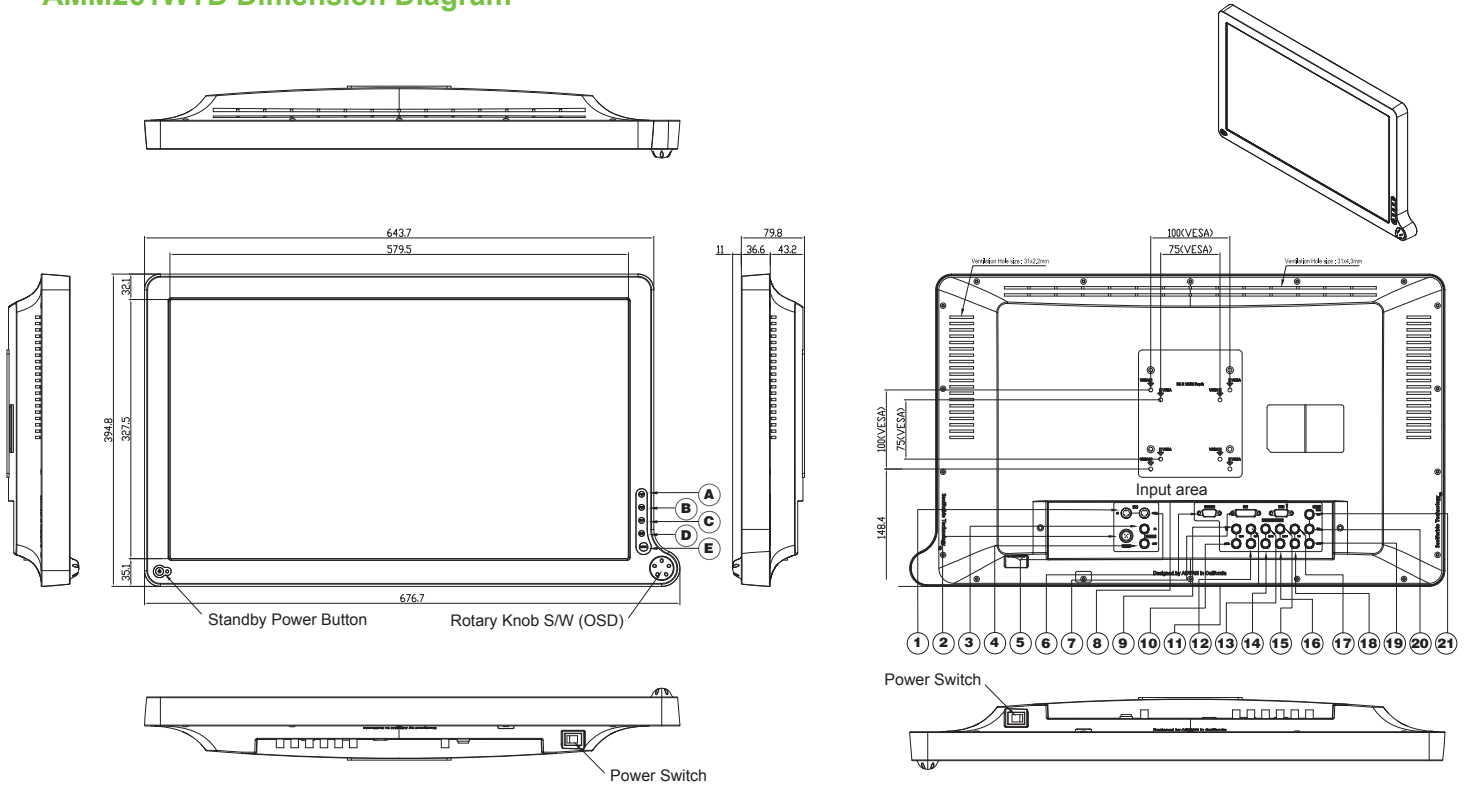
Technical Highlights

- Sealed Design to Meet IP23
- Antimicrobial Technology **Seolforbio Technology™**
- Arm Mountable VESA Compliance
- Superb Quality High Resolution LCD
- Energy Efficient and Wide Color Range LED Backlight
- True Picture-by-Picture Mode with Independent Adjustment
- Easy Firmware Upgrade
- Protective Filter
- DC Powered
- Intuitive Rotary Knob Control
- Wide Range of Input Support

AMM261WTD Specifications

LCD Panel		Output	
Description	a-Si TFT Active Matrix, LED Backlight	Composite Video	BNC x 1
Active Screen Size	26 inches	Y/C Video	1.0 ± 0.1 Vp-p 4 pin Mini Din x 1
Resolution	1920 (H) x 1080 (V)	Component/RGB	Luminance (Y) : 1.0± 0.1Vp-p Chrominance (C) : 0.3± 0.03Vp-p
Pixel Pitch	0.300 mm x 0.300 mm	BNC x 5 (Y/Pb/Pr, RGBs, R/G/B/H/V)	RGB: 0.7 ± 0.1 Vp-p
Display Color	1.07B colors	Composite Sync	0.3Vp-p ~ 5Vp-p
Color Tone	Up to 1024 color tone	H/V SYNC	TTL Level (V high _1.7V, V low _0.8V)
Response Time	<10ms (Typ.)	SDI	3G/HD/SD SDI, BNC x2
Face Finishing	Protective Filter with Anti-Reflected Hard Coated	VGA	15pin D-Sub x 1 Video : 0.7± 0.1 Vp-p H/V Sync : TTL Level (V high _2.3V, V low _0.5V)
Viewing Angle	R/L 178°, U/D 178° (CR > 10)	DVI	DVI-I x 1
Brightness	450 cd/ m ² (Typ.)	Remote Input	9-pin D-Sub (RS-232C) x 1
Contrast	1400:1 (Typ.)	Scanning Frequency	Horizontal : 31.47 ~ 80.0KHz Vertical : 50 ~ 85Hz
Input		General	
Composite Video	BNC x 1 1.0 ± 0.1 Vp-p	Power Adaptor	AC 100 ~ 240V 50-60Hz, 2.5A DC 24V, 6.25A
Y/C Video	4 pin Mini Din x 1 Luminance (Y) : 1.0± 0.1Vp-p Chrominance (C) : 0.3± 0.03Vp-p	Power Consumption	65W
Component/RGB	BNC x 5 (Y/Pb/Pr, RGBs, R/G/B/H/V) RGB: 0.7 ± 0.1 Vp-p Composite Sync : 0.3Vp-p ~ 5Vp-p	Dimension	643.7(W) x 394.8(H) x 79.8(D) (mm)
		Weight	Monitor : 7.75Kg AC adaptor : 690g
		VESA Mounting	100mm x 100mm
		Operating / Storage Environment	
		Operating Temperature	32° ~ 95°F (0°~ 35°C)
		Operating Humidity	20% ~ 80%, non-condensing
		Storage Temperature	-4° ~ 140°F (-20° ~ 60°C)
		Storage Humidity	10% ~ 85%, non-condensing
		Compliance & Certification	
		Safety	UL (UL60601-1), cUL (CAN/CSA-C22.2 No.6011-M90), CE (EN60601-1), AS/NZS 3200-1-0. CCC (GB4943.1), CB-ITE (IEC60950-1), IP23 Compliance
		EMC	FCC (Part 15 Class B), CE (EN60601-1-2), AS/NZS 3200-1-2, VCCI (Class B), CCC (GB9254, GB17625.1)
Optional Module			
DC Extension Cable	5ft, 15ft, 75ft length		
Base Stand	Adjustable high, swivel and tilt base stand		

AMM261WTD Dimension Diagram



Switches

- A.** POP
- B.** PBP
- C.** PIP
- D.** Adjust*
- E.** Input

INPUT AREA

- 1.** Y/C IN
- 2.** DC INPUT
- 3.** C-V/SOG IN
- 4.** C-V OUT
- 5.** Y/C OUT
- 6.** RS-232C
- 7.** DVI
- 8.** VGA
- 9.** R/Pr IN
- 10.** R/Pr OUT
- 11.** G/Y IN
- 12.** G/Y OUT
- 13.** B/Pb IN
- 14.** B/Pb OUT
- 15.** H/CS IN
- 16.** H/CS OUT
- 17.** VS IN
- 18.** VS OUT
- 19.** SD/HD SDI OUT
- 20.** SD/HD SDI IN 2
- 21.** SD/HD SDI IN 1

*please see user manual for detail.

Video Signals for AMM261WTD

Format	DVI	VGA / SOG	Video	Y / C	SDI 1 / 2	Component / RGB	
						Y / Pb / Pr	RGB
NTSC			•	•			
PAL			•	•			
480/59.94i		•			•	•	•
480/59.94p						•	•
576/50i		•			•	•	•
576/50p	•	•				•	•
720/50p	•	•			•	•	•
720/59.94p	•	•			•	•	•
720/60p	•	•			•	•	•
1080/23.98p		•			•	•	•
1080/24p		•			•	•	•
1080/25p	•	•			•	•	•
1080/29.97p	•	•			•	•	•
1080/30p	•	•			•	•	•
1080/50i	•	•			•	•	•
1080/59.94i	•	•			•	•	•
1080/60i	•	•			•	•	•
1080/50p	•	•			•	•	•
1080/60p	•	•			•	•	•